

Indice ricambi - Spare parts Jcb Telehandler

Molti altri ricambi disponibili su richiesta - Many other parts available on demand
 Viele andere Ersatzteile auf anfrage - Autres pièces disponibles sur demande

progr	Codice Originale	Codice Ebac	Description
001	126-01947	AFD1021	Asta sterzo completa - Tie rod bar assy D
002	478-1009	AFD1168	Asta sterzo completa - Tie rod bar assy D
003	913-10386	AFD1168	Asta sterzo completa - Tie rod bar assy D
004	126-02253	AFD1930	Asta sterzo completa - Tie rod bar assy D
005	453-26702	SA68004	Snodo Assiale - Axial joint
006	448-17902	SA68099	Snodo Assiale - Axial joint
007	04.500206	AFS3571	Disco freno - Friction disc
008	04.500230	AFS1649	Disco freno - Friction disc
009	10.300200	AFS2995	Disco freno - Friction disc
010	10.300376	AFS2991	Disco freno - Friction disc
011	10.904182	AFS2715	Disco freno - Friction disc
012	10.904337	AFS2811	Disco freno - Friction disc
013	10.906486	AFS2997	Disco freno - Friction disc
014	10.906812	AFS3575	Disco freno - Friction disc
015	200.42309P	AFS0177	Disco freno - Friction disc
016	440.00719	AFS3105	Disco freno - Friction disc
017	446.01317	AFS0541	Disco freno - Friction disc
018	447.00506	AFS1389	Disco freno - Friction disc
019	450.10224	AFS3875	Disco freno - Friction disc
020	450.20401	AFS4539	Disco freno - Friction disc
021	450.22908	AFS4975	Disco freno - Friction disc
022	451.13303	AFS1595	Disco freno - Friction disc
023	458.20357	AFS5065	Disco freno - Friction disc
024	550.43098	AFS2997	Disco freno - Friction disc
025	331.31561	AFA6706	Disco freno intermedio - Steel friction disc
026	445.05107	AFA3848	Disco freno intermedio - Steel friction disc
027	445.12314	AFA3654	Disco freno intermedio - Steel friction disc
028	446.01310	AFA1304	Disco freno intermedio - Steel friction disc
029	447.00507	AFA1302	Disco freno intermedio - Steel friction disc
030	451.24201	AFA2116	Disco freno intermedio - Steel friction disc
031	458.20286	AFA3108	Disco freno intermedio - Steel friction disc
032	458.20289	AFA4248	Disco freno intermedio - Steel friction disc
033	04.500207	AFA1938	Disco freno intermedio - Steel friction disc
034	04.500231	AFA1324	Disco freno intermedio - Steel friction disc
035	04.800280	AFA3594	Disco freno intermedio - Steel friction disc
036	10.300378	AFA3622	Disco freno intermedio - Steel friction disc
037	10.904336	AFA3606	Disco freno intermedio - Steel friction disc
038	10.906488	AFA3644	Disco freno intermedio - Steel friction disc
039	10.906588	AFA3634	Disco freno intermedio - Steel friction disc
040	10.906933	AFA3946	Disco freno intermedio - Steel friction disc
041	04.500229	AFA5452	Disco freno intermedio - Steel friction disc
042	04.500233	AFA5442	Disco freno intermedio - Steel friction disc
043	04.800279	AFA3592	Disco freno intermedio - Steel friction disc
044	04.800281	AFA3596	Disco freno intermedio - Steel friction disc
045	10.300377	AFA3620	Disco freno intermedio - Steel friction disc
046	10.904181	AFA2890	Disco freno intermedio - Steel friction disc
047	10.904323	AFA3608	Disco freno intermedio - Steel friction disc
048	10.905026	AFA3606	Disco freno intermedio - Steel friction disc
049	10.905028	AFA3608	Disco freno intermedio - Steel friction disc
050	10.905029	AFA3606	Disco freno intermedio - Steel friction disc
051	10.906487	AFA3640	Disco freno intermedio - Steel friction disc

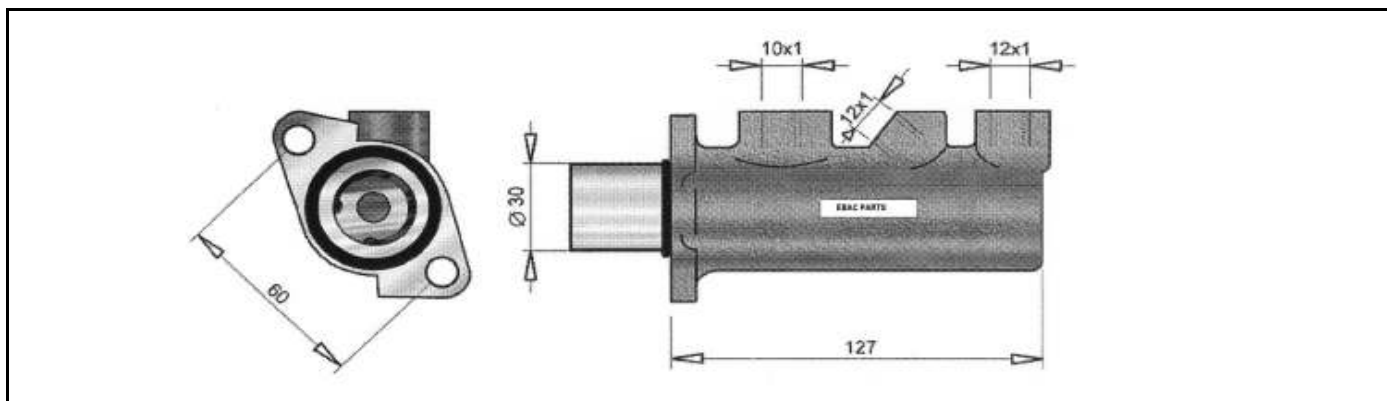
Indice ricambi - Spare parts Jcb Telehandler

Molti altri ricambi disponibili su richiesta - Many other parts available on demand

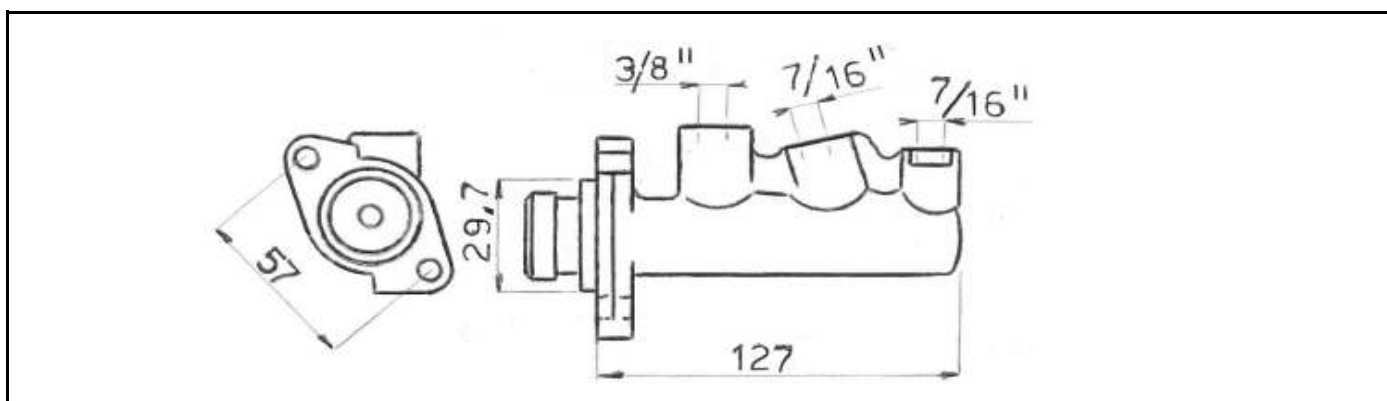
Viele andere Ersatzteile auf anfrage - Autres pièces disponibles sur demande

progr	Codice Originale	Codice Ebac	Description
052	10.906489	AFA3642	Disco freno intermedio - Steel friction disc
053	10.906490	AFA3646	Disco freno intermedio - Steel friction disc
054	10.906587	AFA3630	Disco freno intermedio - Steel friction disc
055	10.906589	AFA3636	Disco freno intermedio - Steel friction disc
056	10.906590	AFA3632	Disco freno intermedio - Steel friction disc
057	10.906931	AFA4844	Disco freno intermedio - Steel friction disc
058	10.906932	AFA3948	Disco freno intermedio - Steel friction disc
059	10.907120	AFA3948	Disco freno intermedio - Steel friction disc
060	10.907121	AFA3946	Disco freno intermedio - Steel friction disc
061	10.907369	AFA4650	Disco freno intermedio - Steel friction disc
062	200.42308P	AFA1288	Disco freno intermedio - Steel friction disc
063	331.16516	AFA5122	Disco freno intermedio - Steel friction disc
064	331.31560	AFA3656	Disco freno intermedio - Steel friction disc
065	331.31563	AFA7286	Disco freno intermedio - Steel friction disc
066	440.00707	AFA3110	Disco freno intermedio - Steel friction disc
067	440.00720	AFA3108	Disco freno intermedio - Steel friction disc
068	445.12307	AFA1324	Disco freno intermedio - Steel friction disc
069	445.40118	AFA4570	Disco freno intermedio - Steel friction disc
070	447.06706	AFA1288	Disco freno intermedio - Steel friction disc
071	450.10212	AFA2212	Disco freno intermedio - Steel friction disc
072	450.10219	AFA2212	Disco freno intermedio - Steel friction disc
073	450.10226	AFA3878	Disco freno intermedio - Steel friction disc
074	450.20403	AFA4476	Disco freno intermedio - Steel friction disc
075	45101703	AFA2446	Disco freno intermedio - Steel friction disc
076	451.08002	AFA1598	Disco freno intermedio - Steel friction disc
077	453.15301	AFA4248	Disco freno intermedio - Steel friction disc
078	458.20285	AFA3878	Disco freno intermedio - Steel friction disc
079	458.20358	AFA5068	Disco freno intermedio - Steel friction disc
080	550.43099	AFA3644	Disco freno intermedio - Steel friction disc
081	04.800278	AFS2277	Disco freno - Friction disc
082	10.905027	AFS2811	Disco freno - Friction disc
083	10.905043	AFS2811	Disco freno - Friction disc
084	10.906586	AFS2995	Disco freno - Friction disc
085	10.907122	AFS3575	Disco freno - Friction disc
086	10.907373	AFS4647	Disco freno - Friction disc
087	15.920147	AFS2997	Disco freno - Friction disc
088	200.42311	AFS0177	Disco freno - Friction disc
089	440.00721	AFS3105	Disco freno - Friction disc
090	445.05106	AFS3845	Disco freno - Friction disc
091	445.30011	AFS2983	Disco freno - Friction disc
092	445.40119	AFS4567	Disco freno - Friction disc
093	446.01317	AFS0855	Disco freno - Friction disc
094	446.40707	AFS0851	Disco freno - Friction disc
095	450.10211	AFS2209	Disco freno - Friction disc
096	450.20402	AFS4537	Disco freno - Friction disc
097	450.23003	AFS4975	Disco freno - Friction disc
098	451.01702	AFS1595	Disco freno - Friction disc
099	458.20281	AFS3105	Disco freno - Friction disc
100	458.20316	AFS4975	Disco freno - Friction disc
101	458.20353	AFS3875	Disco freno - Friction disc
102	550.43098	AFS2997	Disco freno - Friction disc

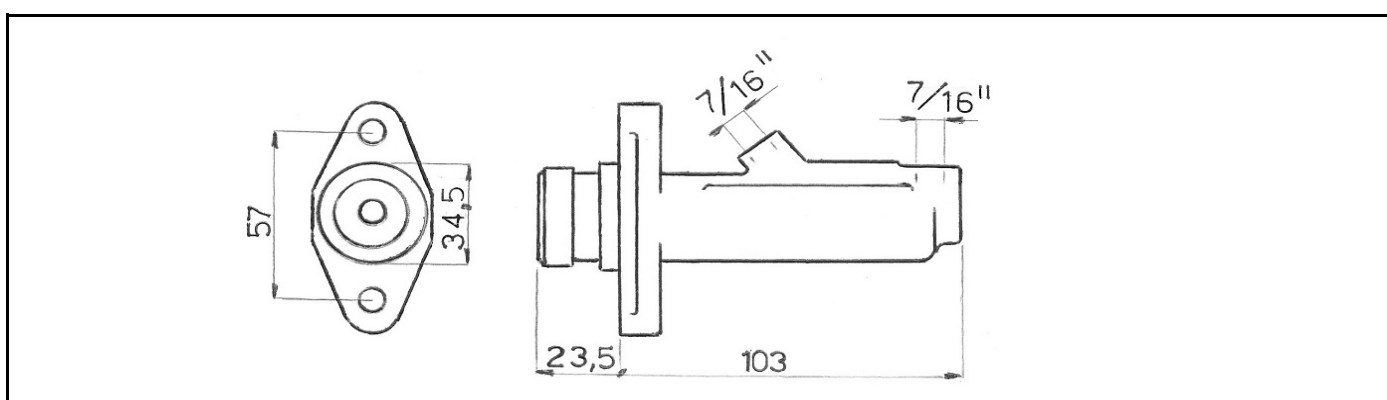
RICAMBI EBAC	Ricambi JCB Telehandler	Spare parts JCB Telehandler
------------------------	-------------------------	-----------------------------



Ebac code		Description
BT78.360M		Brake master cylinder

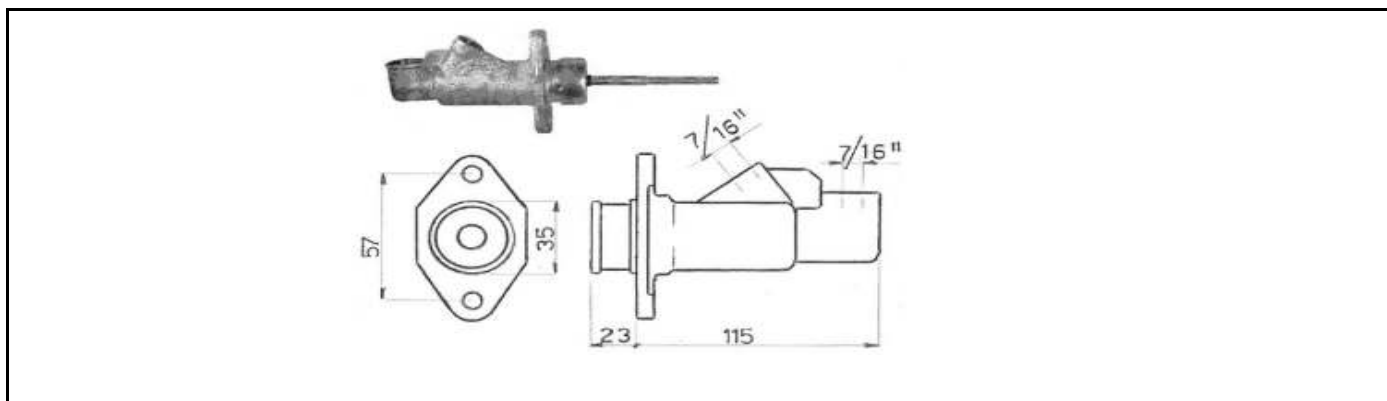


Ebac code		Description
BBJ34.8141		Brake master cylinder

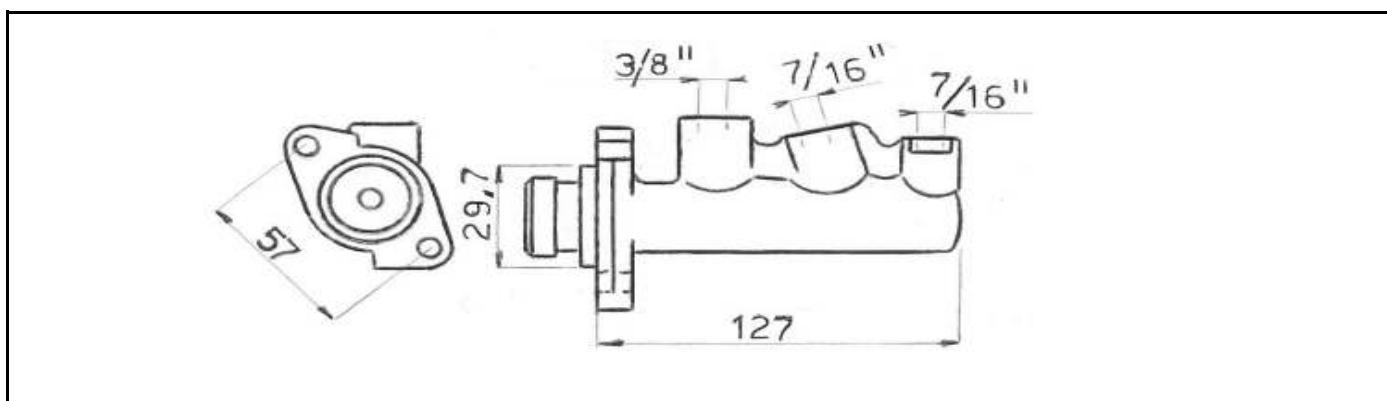


Ebac code		Description
BBJ34.8121		Brake master cylinder

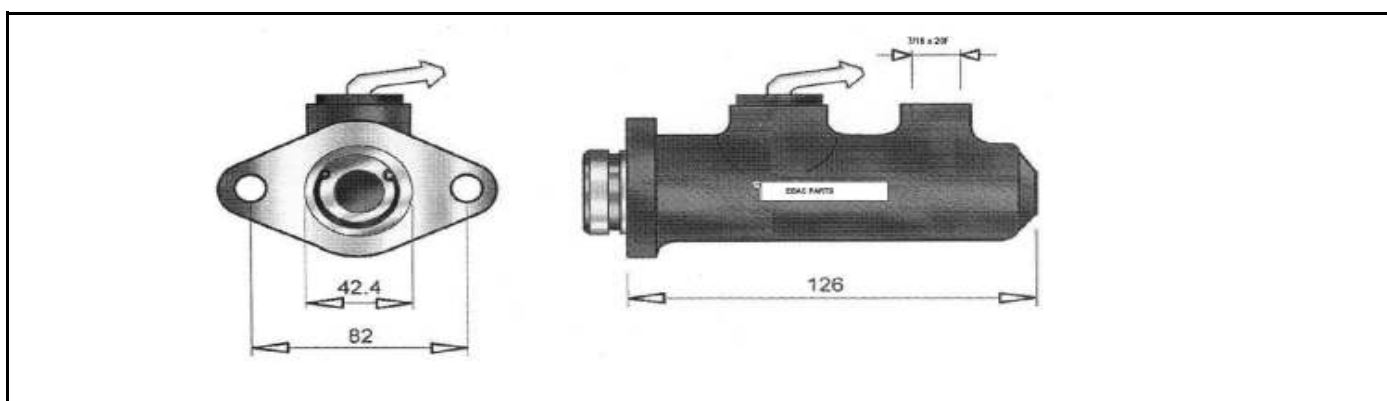
RICAMBI EBAC	Ricambi JCB Telehandler	Spare parts JCB Telehandler
------------------------	-------------------------	-----------------------------



Ebac code			Description
BBM100.817			Brake master cylinder



Ebac code			Description
BT78.333M			Brake master cylinder



Ebac code			Description
BT118.366M			Brake master cylinder

RICAMBI EBAC	Ricambi JCB Telehandler	Spare parts JCB Telehandler
------------------------	-------------------------	-----------------------------



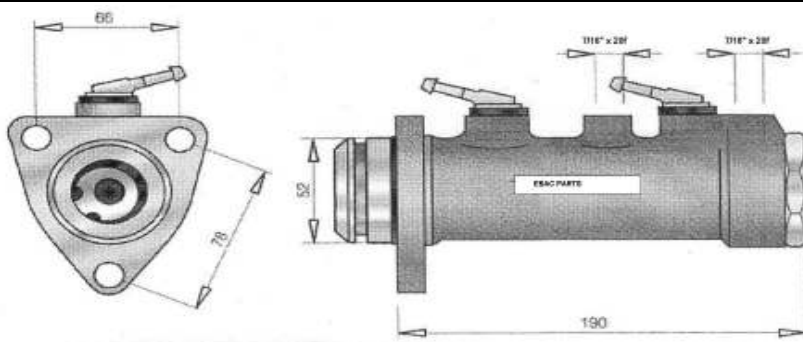
Ebac code			Description
BBJ101409	366M		Brake master cylinder



Ebac code			Description
BBJ105509			Brake servo



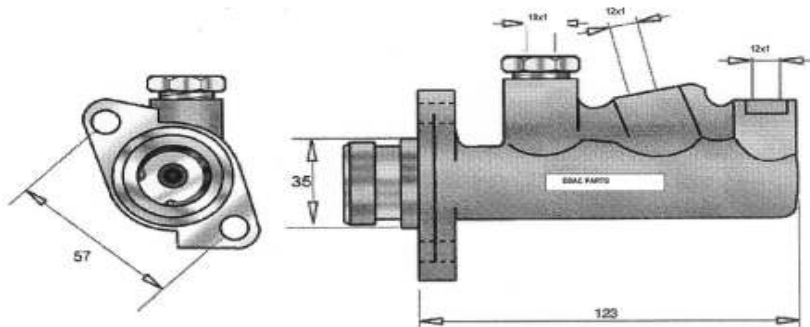
Ebac code			Description
BBJ0201G	133820/12 SF		Brake valve



Ebac code			Description
BT112.328			Brake master cylinder



Ebac code			Description
BBJ883029			Brake servo complet



Ebac code			Description
BT78.333M	100 - 7/16"x20		Brake master cilinder